

castus[®] 

BETA TRANSFER CONTAINER PE



TRANSFER CONTAINER MADE OF POLYETHYLENE

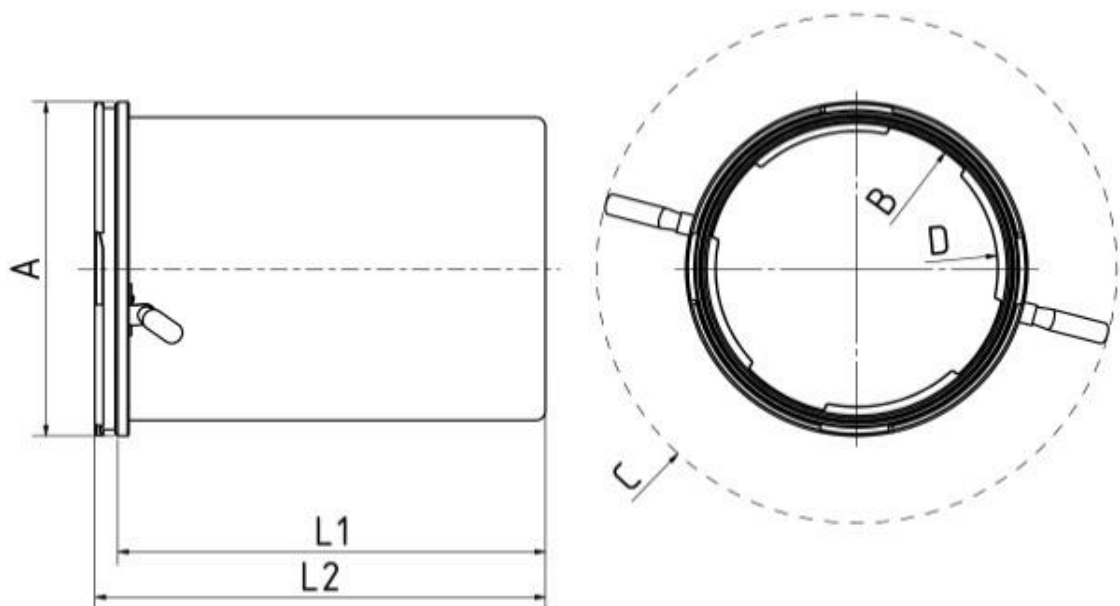
The beta Transfer Container is used for a contamination-free loading and unloading of components in and out of the isolator, for transport and storage. It can be sterilized by gas or gamma-irradiation (no autoclaving).

The PE-high density beta Transfer Container is made of a PE flange, a lid and a case. Due to the special production, there are no welding seams inside and outside, what makes the Container easy to clean.

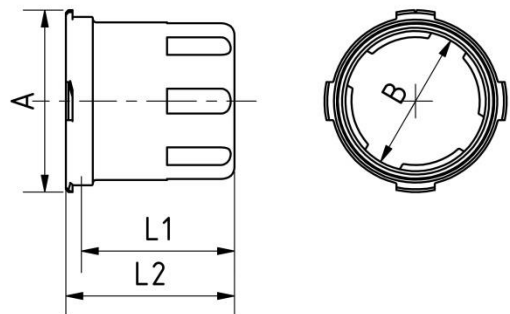
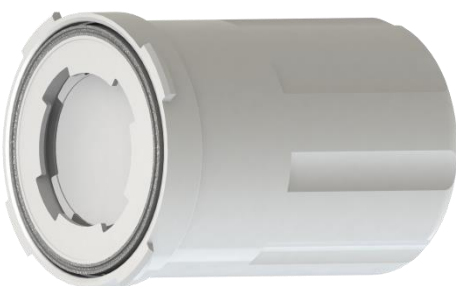
Design and position of the handles are variable.

Through a 60° rotation, the beta Transfer Container is docked to the alpha Port and the two parts are hermetically connected, sealed by a lip seal.

Due to the castus safety interlock system, the alpha Port can only be opened when the beta Transfer Container is docked correctly.



Art.no.:	75000010
Designation:	beta Transfer Container 105 PE
Size:	105
Weight:	0.9 kg
Material container:	PE-HD
Material flange:	PE-HMW
Material inner lid:	PE-HMW
Material seal:	silicone FDA-conform
Outer diameter (A):	∅ 132 mm / ∅ 120 mm
Useful diameter (B):	∅ 105 mm
Useful length (L1):	300 mm
Total length (L2):	L1 + 28 mm



Art.no.:	75000219
Designation:	beta Transfer Container 190 PE
Size:	190
Weight:	2.4 kg
Material container:	LLDPE
Material flange:	PE-HMW
Material inner lid:	PE-HMW
Material optional:	PE-EL
Material seal:	silicone FDA-conform
Material handles:	Duroplast optional 316L, PE position and design variable
Outer diameter (A):	∅ 243 mm / ∅ 200 mm
Useful diameter (B/D):	∅ 190 mm / ∅ 172 mm
Interfering contour handles (C):	∅ 478 mm
Useful length (L1):	400 mm
Total length (L2):	L1 + 32 mm

Art.no.:	75000004
Designation:	beta Transfer Container 270 PE
Size:	270
Weight:	3.9 kg
Material container:	LLDPE
Material flange:	PE-HMW
Material inner lid:	PE-HMW
Material optional:	optional PE-EL (Art.no. 75000093)
Material seal:	silicone FDA-conform
Material handles:	Duroplast optional 316L, PE Position and design variable
Outer diameter (A):	Ø 324 mm / Ø 282 mm
Useful diameter (B/D):	Ø 270 mm / Ø 250,5 mm
Interfering contour handles (C):	Ø 570 mm
Useful length (L1):	400 mm optional 490 mm (Art.no: 75000069)
Total length (L2):	L1 + 32 mm

Art.no.:	75000012
Designation:	beta Transfer Container 350 PE
Size:	350
Weight:	5.5 kg
Material container:	LLDPE
Material flange:	PE-HMW
Material inner lid:	PE-HMW
Material optional:	optional PE-EL
Material seal:	silicone FDA-conform
Material handles:	Duroplast optional 316L, PE Position and design variable
Outer diameter (A):	Ø 403 mm / Ø 366 mm
Useful diameter (B/D):	Ø 350 mm / Ø 332mm
Interfering contour handles (C):	Ø 615 mm
Useful length (L1):	490 mm 400 mm (Art.no. 75000203)
Total length (L2):	L1 + 32 mm

Art.no.:	75000050
Designation:	beta Transfer Container 460 PE
Size:	460
Weight:	6.5 kg
Material container:	LLDPE
Material flange:	PE-HMW
Material inner lid:	PE-HMW
Material optional:	optional PE-EL (Art.no. 75000153)
Material seal:	silicone FDA-conform
Material handles:	Duroplast optional 316L, PE Position and design variable
Outer diameter (A):	Ø 511 mm / Ø 474 mm
Useful diameter (B/D):	Ø 460 mm / Ø 424.5 mm
Interfering contour handles (C):	Ø 762 mm
Useful length (L1):	490 mm
Total length (L2):	L1 + 32 mm

OPTIONAL FEATURES

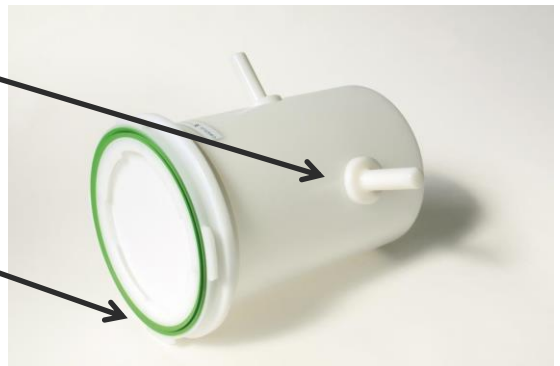
Option: stainless steel handles

Option: ring to minimize wear

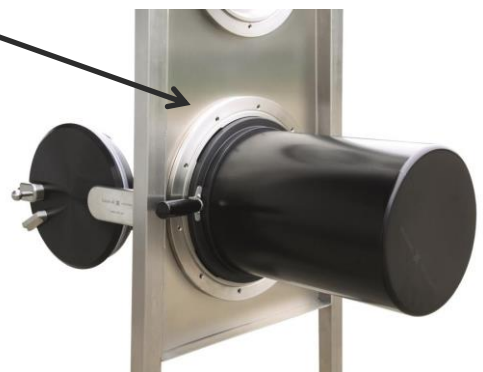


Option: PE-handles, position variable

Option: -seal



Option: material PE-EL
(electrically conducting)



info@netsteril.com
www.netsteril.com