

castus® 

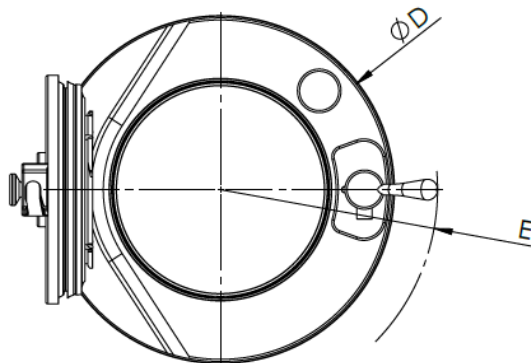
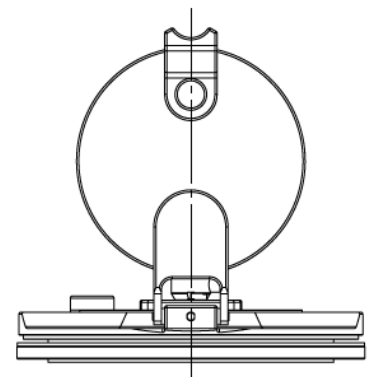
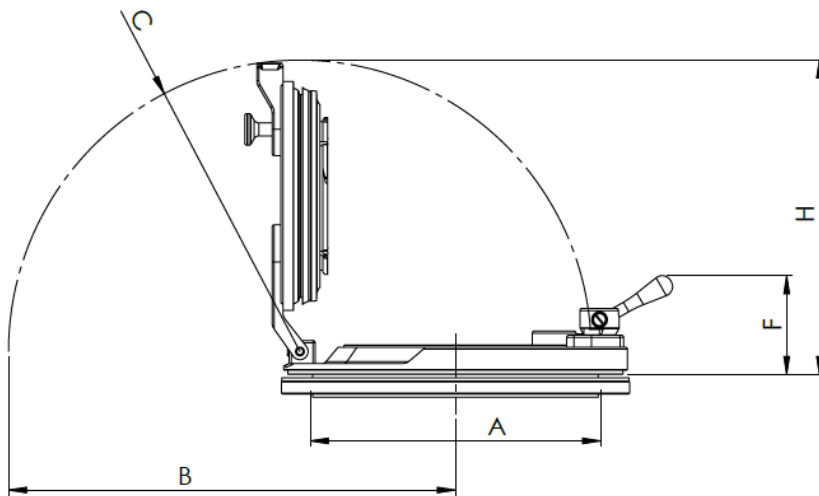
# ALPHA PORT SQ FLUSHFLOOR



# RTP SYSTEM FOR A CONTAMINATION-FREE LOADING AND UNLOADING

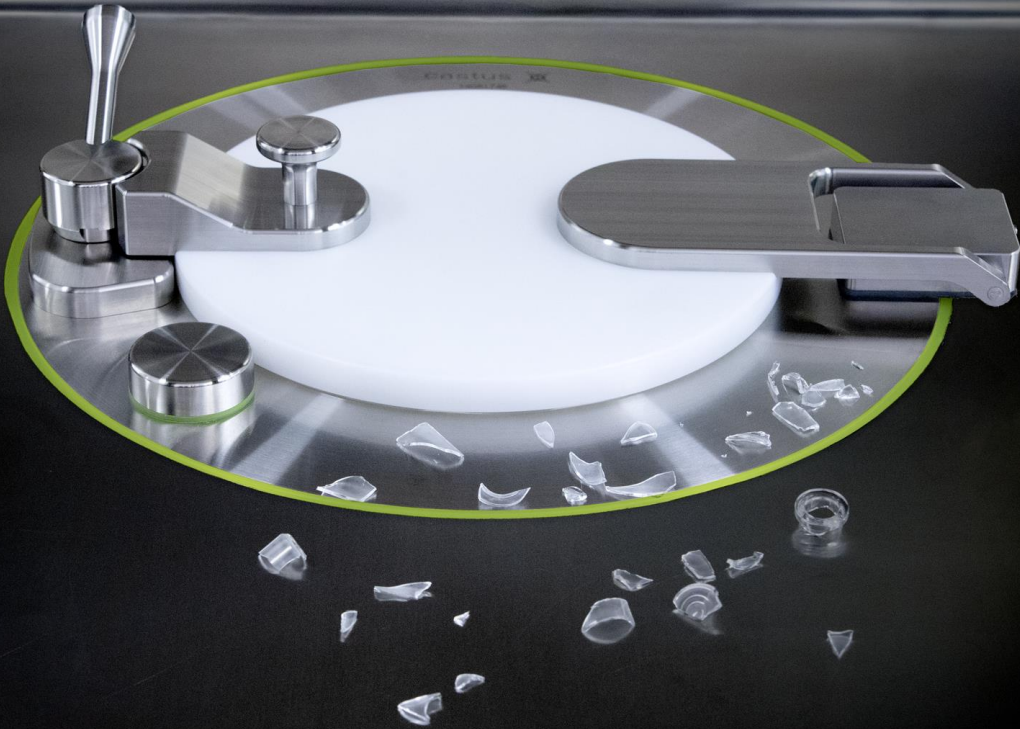
The castus alpha Port is installed into the wall or baseplate of an isolator/filling line/freeze dryer and serves as a lock to load or unload components into or from the isolator without contamination.

The patented safety interlock system guarantees a high protection of operator and product. The alpha door can only be opened when a beta Part is docked correctly. On the other hand, the beta Part cannot be undocked, when the alpha door is open.

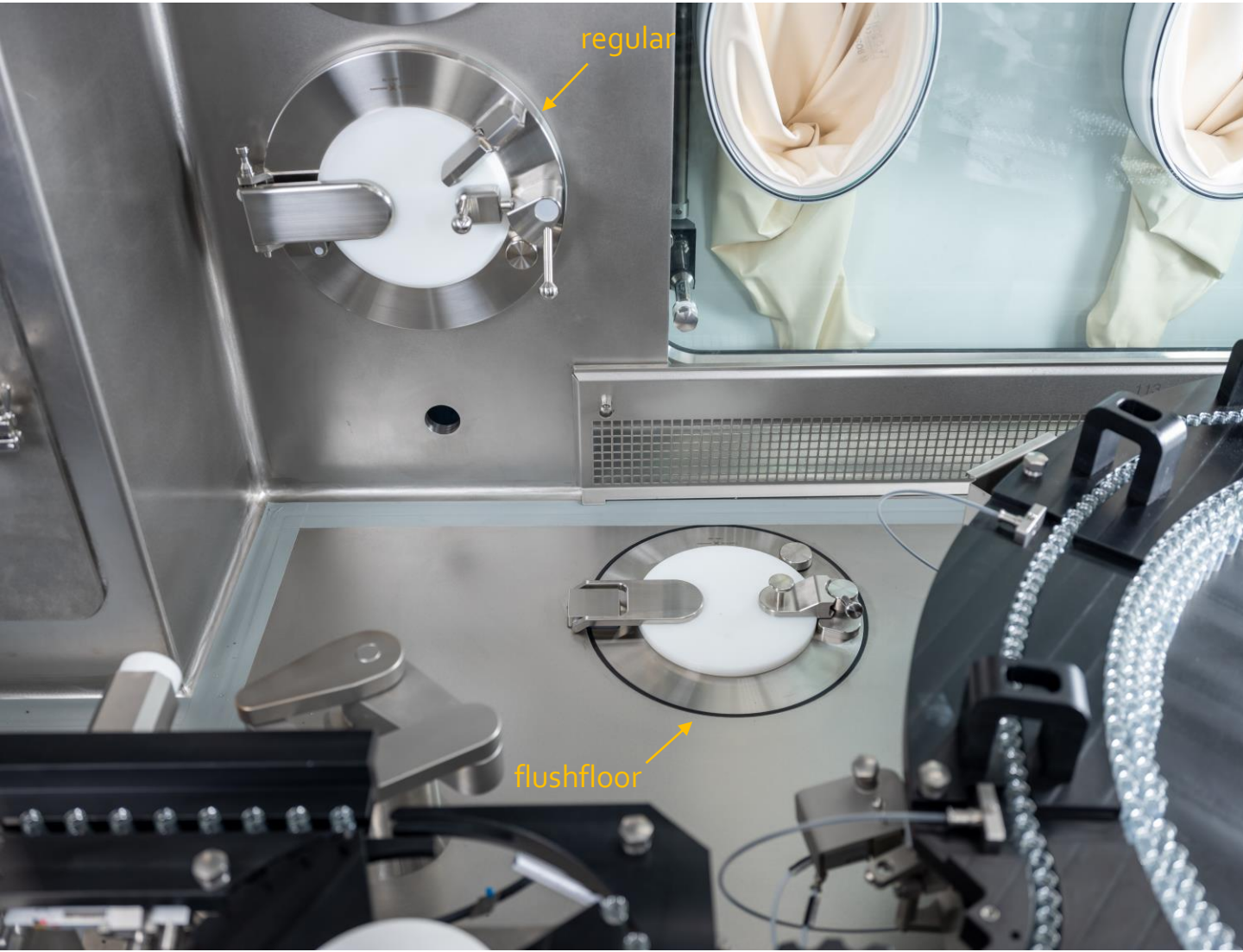


- Reduced moving parts
- Complete CSIS is housed and sealed
- Optimized for WIP
- Double sealed door
- Reduced outer diameter and height

# RTP SYSTEM FOR A CONTAMINATION-FREE LOADING AND UNLOADING



# RTP SYSTEM FOR A CONTAMINATION-FREE LOADING AND UNLOADING



<b>Art.no.:</b>	<b>76000083</b>
<b>Description:</b>	<b>alpha Port 105 SQ Flushfloor</b>
Size:	105
Weight:	10,8 kg
Material flange:	316L
Material seal:	silicone FDA-conform optional EPDM
Material door:	PE-HD optional: PE-EL or 316L
Thread diameter (A):	Ø 155 mm
Cutout on isolator (A):	Ø 213 mm +/-1
Interfering contour open door (C):	R 198 mm
Interfering contour lid (B):	322 mm
Outer diameter alpha Port (D):	Ø 235 mm
Interfering contour rotary lever lock (E):	R 130 mm
Height alpha Port (F):	61 mm
Interf. contour alpha with vertical door (H):	205 mm
incl. castus standard documentation	

<b>Art.no.:</b>	<b>76000043</b>
<b>Description:</b>	<b>alpha Port 190 SQ Flushfloor</b>
Size:	190
Weight:	16,8 kg
Material flange:	316L
Material seal:	silicone FDA-conform optional EPDM
Material door:	PE-HD optional: PE-EL or 316L
Thread diameter (A):	Ø 266 mm
Cutout on isolator (A):	Ø 305 mm +/-1
Interfering contour open door (C):	R 296 mm
Interfering contour lid (B):	468 mm
Outer diameter alpha Port (D):	Ø 325,5 mm
Interfering contour rotary lever lock (E):	R 201 mm
Height alpha Port (F):	67 mm
Interf. contour alpha with vertical door (H):	303 mm
incl. castus standard documentation	

<b>Art.no.:</b>	<b>76000114</b>
<b>Description:</b>	<b>alpha Port 270 SQ Flushfloor</b>
Size:	270
Weight:	22 kg
Material flange:	316L
Material seal:	silicone FDA-conform optional EPDM
Material door:	PE-HD optional: PE-EL or 316L
Thread diameter (A):	Ø 346 mm
Cutout on isolator (A):	Ø 385 mm +/-1
Interfering contour open door (C):	R 347 mm
Interfering contour lid (B):	588 mm
Outer diameter alpha Port (D):	Ø 405,5 mm
Interfering contour rotary lever lock (E):	R 239 mm
Height alpha Port (F):	67 mm
Interf. contour alpha with vertical door (H):	382 mm
incl. castus standard documentation	



[info@netsteril.com](mailto:info@netsteril.com)  
[www.netsteril.com](http://www.netsteril.com)