



Design and development of filling machines and innovative filling solutions



DISTRIBUIDOR
AUTORIZADO.



netSteril
info@netsteril.com

SPC Engineering,
a subsidiary company of  SPC GROUP

YOUR PRECISION PARTNER
FOR LIQUID FILLING



HIGH ACCURACY PERISTALTIC FILLING PUMP

PHARMACEUTICALS
R&D
CLINICAL TRIALS
BIOPHARMA
ADVANCED THERAPIES



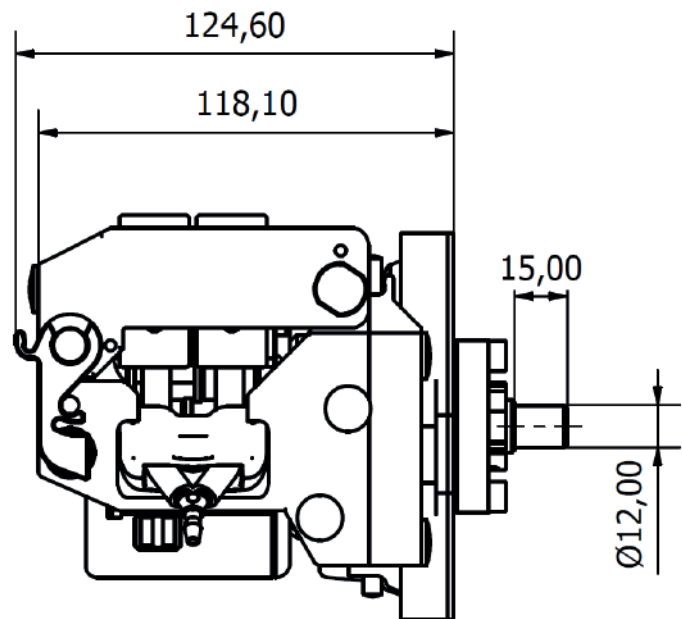
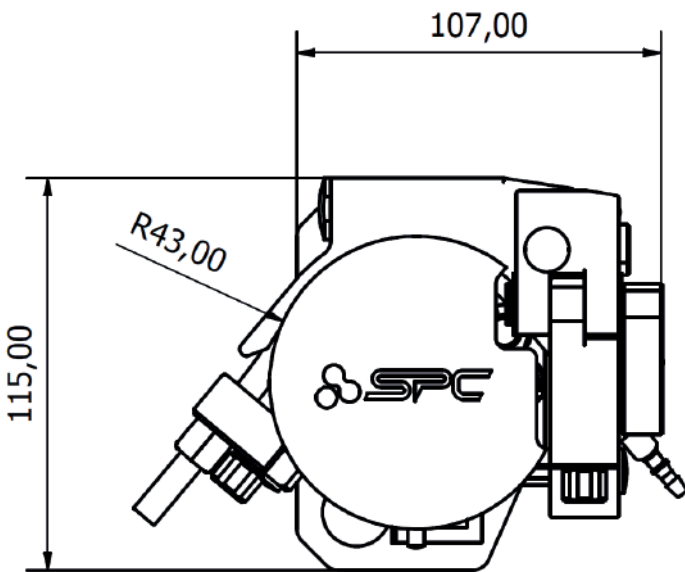
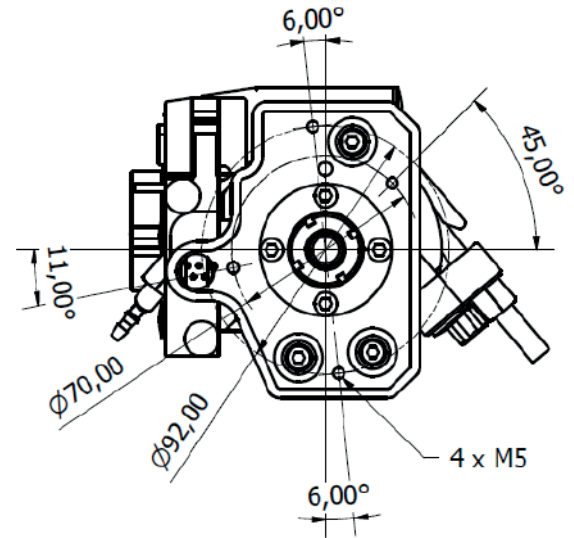
High accuracy peristaltic
filling pump



Filling accuracy up to $\pm 0.5\%$
Filling range: 0.01 to 25ml

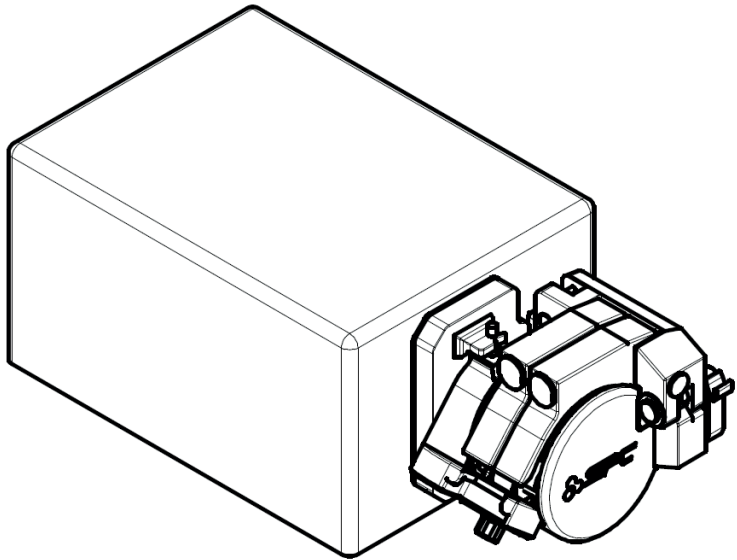
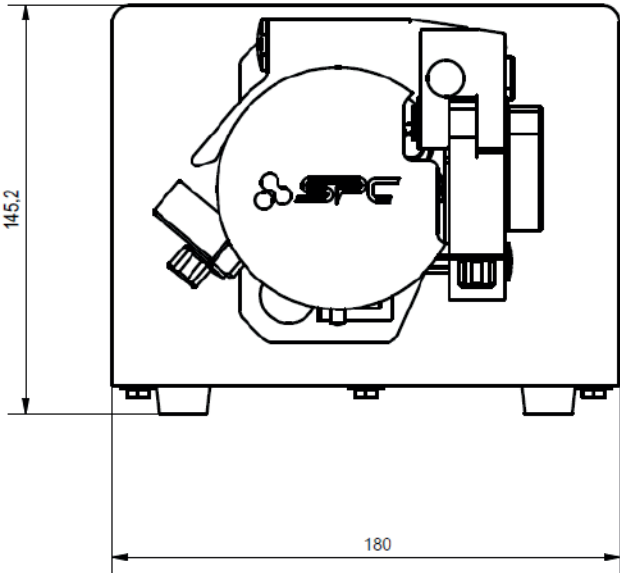
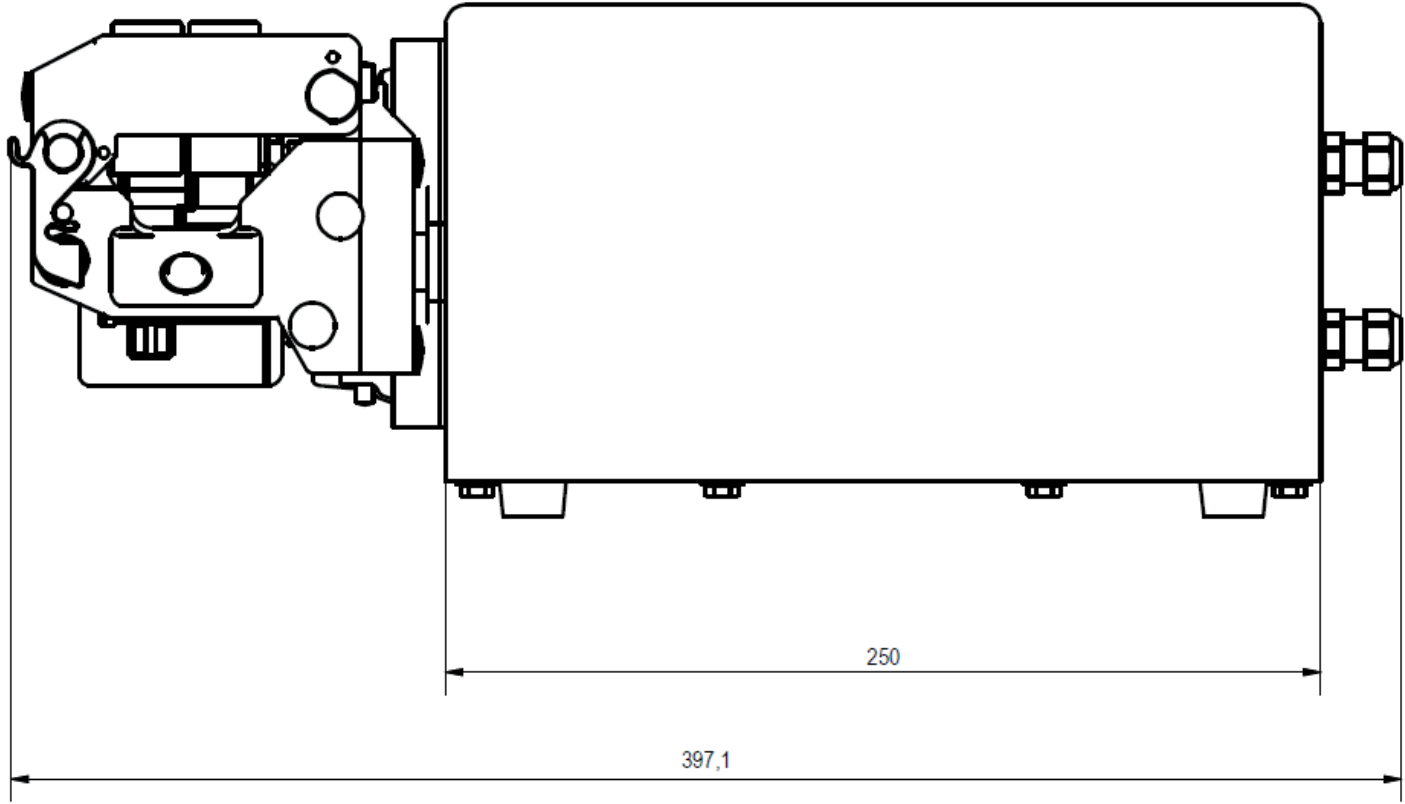
Features:

- Solution can be integrated on any new or existing line
- Centralized mono or multi-head system
- Quick change of head with Klyx® system
- 100% removable head for cleaning
- Materials of construction compliant with isolator use
- Quick head change without tools
- One hand assembly and disassembly capability of the head
- One hand tubing assembly and disassembly capability
- Light weight head
- Possibility of using single-use pre-sterilized tubing
- Pharmaceutical safety and traceability with the version embodying the RFID technology for disposable tubing



HIGH PRECISION PERISTALTIC OEM VERSION

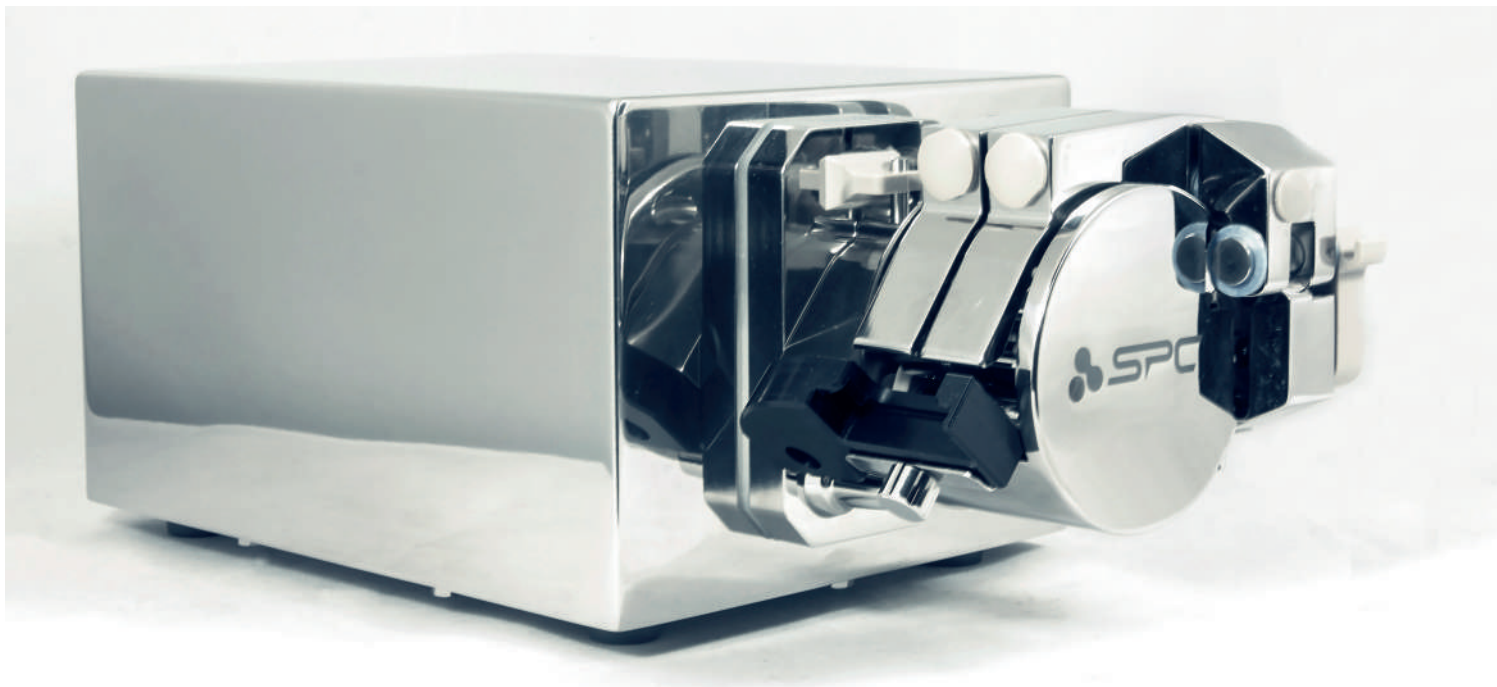
PHARMACEUTICALS
R&D
CLINICAL TRIALS
BIOPHARMA
ADVANCED THERAPIES



*Filling accuracy up to $\pm 0.5\%$
Filling range: 0.01 to 25ml*

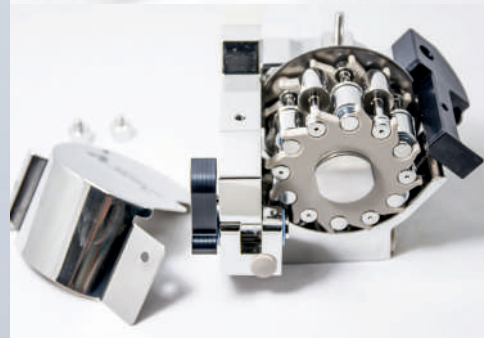
Features:

- Solution can be integrated on any new or existing line
- Single or multi-head system
- Quick head change without tools with Klyx® system
- 100% cleanable head
- Compliant with isolator use
- One hand head assembly and disassembly
- One hand tubing assembly and disassembly
- One hand tubing assembly and disassembly capability
- Light weight
- Possibility of using single-use pre-sterilized tubing
- Stepper motorized or closed loop brushless (option)
- Pharmaceutical safety and traceability with the version embodying the RFID technology for disposable tubing



HIGH PRECISION PERISTALTIC BENCHTOP

PHARMACEUTICALS
R&D
CLINICAL TRIALS
BIOPHARMA
ADVANCED THERAPIES



With a filling accuracy reaching +/- 0.5%, our Peristaltic Malys[®] filling system aims to optimize filling conditions.

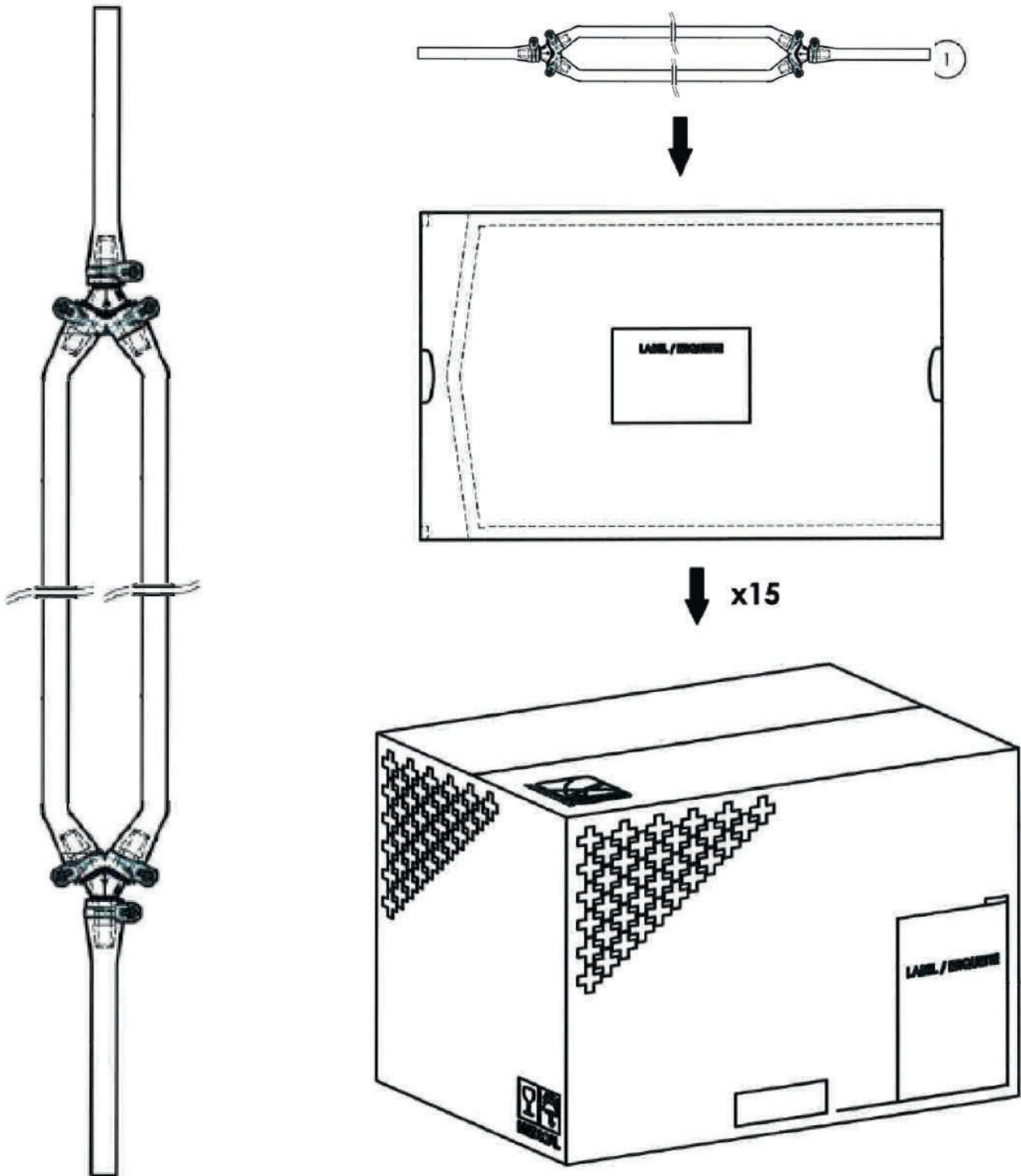
Filling range: 0.01 to 25ml

Features:

- Single or multi-head system
- Quick head change without tools with Klyx[®] system
- 100% cleanable
- Front pannel tight even when removed head
- Compliant with isolator use
- One hand head assembly and disassembly
- One hand tubing assembly and disassembly
- Light weight head
- Use safe
- Possibility of using single-use pre-sterilized tubing
- Ergonomic operator interface (option)
- Unlimited receipes (option)
- Fine filling tuning (option)
- 21 CFR P11 (option)
- Production batch tracking (option)
- Stepper motorized or closed loop brushless (option)
- Pharmaceutical safety and traceability with the version embodying the RFID technology for disposable tubing

HIGH PRECISION PERISTALTIC FILLING KITS

PHARMACEUTICALS
R&D
CLINICAL TRIALS
BIOPHARMA
ADVANCED THERAPIES



Platinum-cured silicon tubing going from 0,5 to 4,7mm ID

Standards:

Ø of the tube	Reference	Volumes	Ø of needle
1. Ø0.5x3.7	T5	0.01-0.4ml	0.6
2. Ø0.8x4	T8	0.4-1ml	1
3. Ø1.2x4.4	T12	1-2ml	1.6
4. Ø1.6x4.8	T16	2-3.4ml	3.2
5. Ø3.2x6.4	T32	3.4-15ml	4.5
6. Ø4.7x7.9	T47	14-25ml	6

Filling kits can be customized, delivered assambled in bags, sterilized or not.

Features:

- No cleaning and sterilization of tubing to be carried out before the production.
- No qualifications for tubing cleaning
- ISO 8 Clean Room Manufacturing
- Secure assembly with 100% control
- Sterilization by gamma irradiation (validation report available)
- Customized connections and dimensions
- Recognition of the dosing format installed on the machine (with option RFID)
- Detection of sterility expiration date (with RFID option)
- Preventing misuse of tube set (with RFID option)
- Ability to trace tubing lot numbers (with RFID option + batch tracking)
- Possibility of RFID-specific labelling, possibility of RFID labelling and programming

HIGH PRECISION PERISTALTIC FILLING UNIT

PHARMACEUTICALS
R&D
CLINICAL TRIALS
BIOPHARMA
ADVANCED THERAPIES



104 rue de Lisbonne, Parc d'Activités de SERMENAZ
69 140 RILLIEUX LA PAPE - FRANCE

Benchtop filler for nest

Malys[®]



T: +33(0)4 78 88 79 56 · F: +33(0)4 78 88 75 72
spc@spc.fr · www.spc.fr

 **SPC**[®]
ENGINEERING 

Meeting the challenges of the key-players in the pharmaceutical industry worldwide

The leading filling machines manufacturers or main pharmaceutical
laboratories rely upon SPC GROUP expertise

BOSTA TECHNOLOGY
DARA PHARMACEUTICAL PACKAGING
HARRO HOFLIGER
IMA
IWK VERPACKUNGSTECHNIK
MAR GROUP
MARCHESINI GROUP
MH MULTIPACK
ROMACO GROUP
SFM
STERILINE
TOFFLON
TRUKING TECHNOLOGY
ZELLWAG

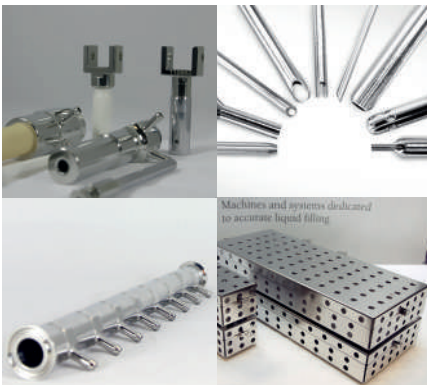
PFIZER
NOVARTIS
ROCHE
SANOFI
MERCK&CO
GLAXO SMITH KLINE
ABBVIE
TEVA
BAYER
ELI LILLY
NOVO NORDISK
ACTAVIS
MYLAN



Headquarters of 2 expert subsidiaries



Manufacturing of high precision tooling for liquid filling



Design and development of filling machines and innovative packaging solutions



DISTRIBUIDOR
AUTORIZADO.



netSteril
info@netsteril.com

